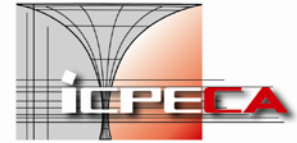




Nr. Registrul Comerțului
J40/3800/2001
Cod Fiscal RO 13827850
Capital Social: 381.108 Lei
Trezorerie M.B.:
RO24TREZ7005069XXX002740

Cont : ROL
RO52RNCB0076029424690001
BCR SMB
Splaiul Unirii nr. 313, sector 3
București, 030138, România

Email: office@icpe-ca.ro
www.icpe-ca.ro
Tel: +4021.346.7231
+4021.346.8297
Fax: +4021.346.8299



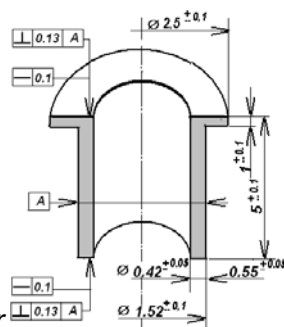
CERAMIC INTERCONNECTOR FOR AERONAUTIC PRESSURE TRANSDUCER

Description:

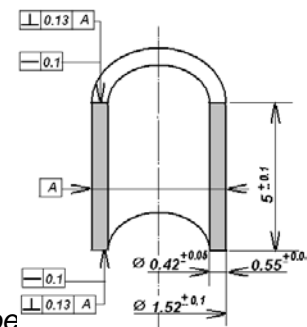
Ceramic product made from cordierite and zirconia-based composite ceramic material. These products are obtained by pressure injection technique to get the shape and size required by the recipient.

Technical characteristics:

- **Material:** cordierite – zirconia ceramic composite CZ10
- **Shape:**
 - Cylinder tube with top collar;
 - Cylinder tube.
- **Size and tolerance:**
 - $H = 5 \text{ mm} \pm 5\% \text{mm}$
- **Thermal expansion:**
 - $\alpha_{t \ 20-100^{\circ}\text{C}} = 2,41$; $\alpha_{t \ 20-200^{\circ}\text{C}} = 3,37$; $\alpha_{t \ 20-300^{\circ}\text{C}} = 4,24$.



Cylinder tube with collar



Cylinder tube

Advantages:

- resistance to thermal and mechanical shock;
- not requires special storage and conservation conditions.

Application: ceramic adapter for sealed pressure sensor intended for high-altitude altimetry systems for aircraft computers.

