

Synchronous generator used for wind turbine

DESCRIPTION OF PRODUCTS:

Synchronous generator with permanent magnets used for wind turbine of any power. It has the best effective power and could work at low and high speed of wind.

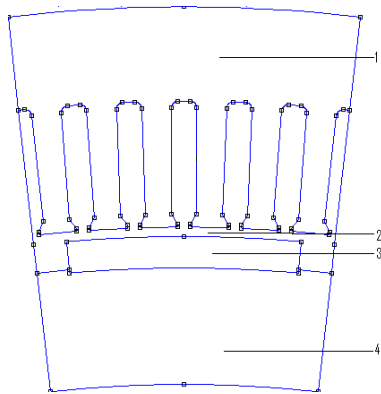


Fig. 1 – Draft of the generator with one pole

- 1 - stator
- 2 - air gap
- 3 - magnet
- 4 - rotor

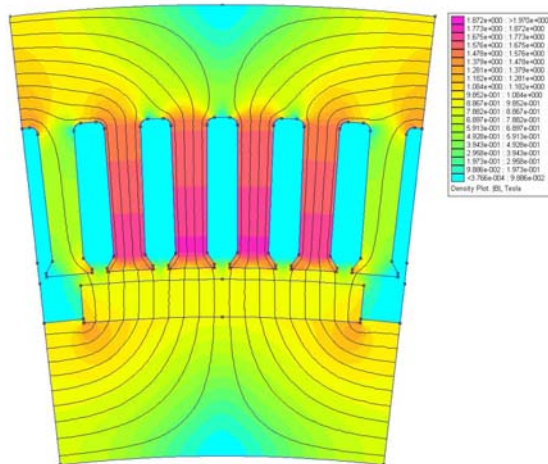


Fig. 2 –Spectrum of magnetic field

TECHNICAL CHARACTERISTICS:

Stator is built-up from silicon sheet metal with thickness of 0.5 mm.

- Rotor is built-up from iron: instead of exciting winding is used NdFeB permanent magnets;

Full power $P = 5 \text{ kW}$; nominal voltage $U = 220 \text{ V}$;

- Rated speed $n = 214 \text{ rpm}$;

- Number of phases: $m = 3$.



USERS:

Consumers of electrical energy